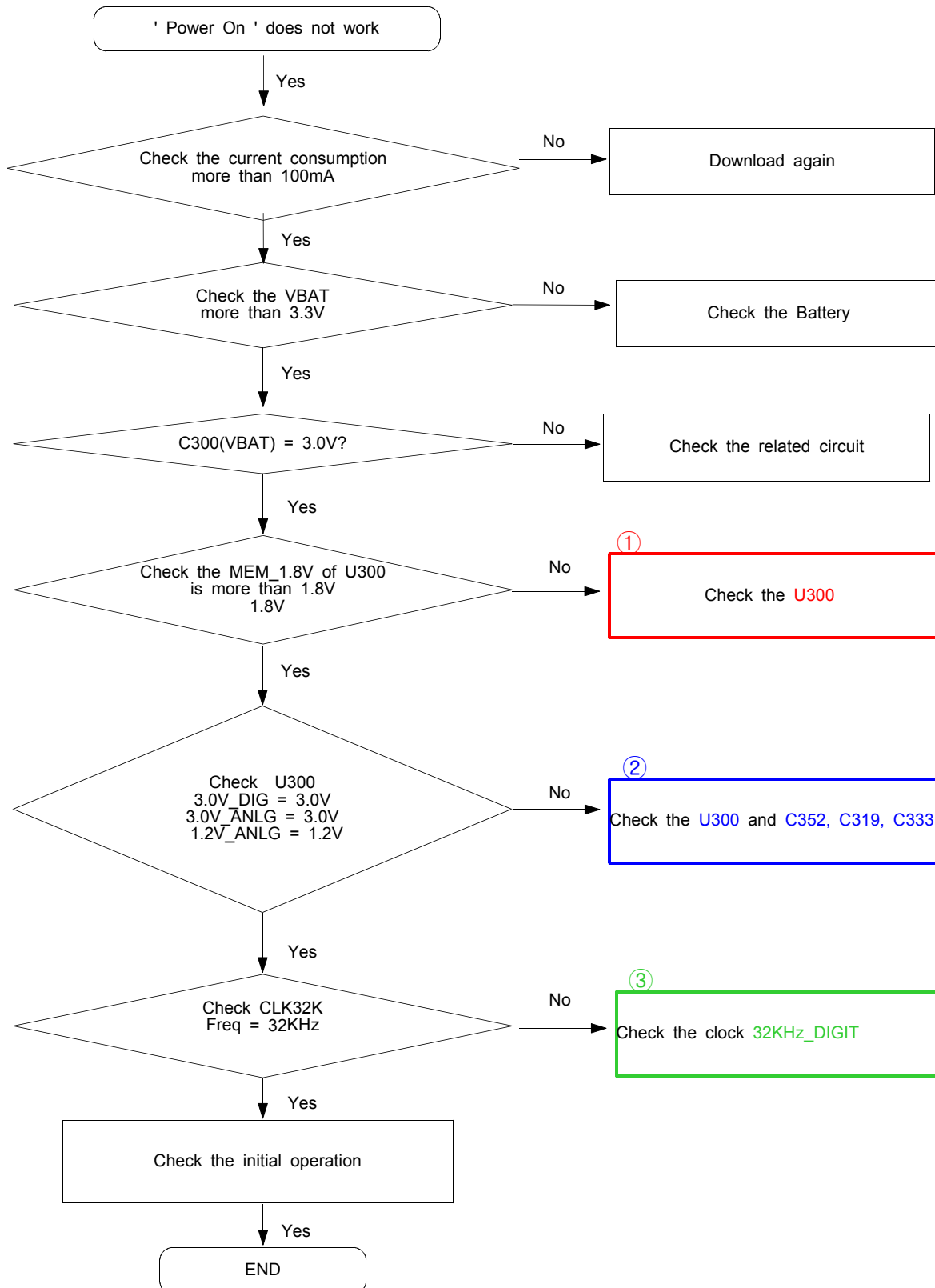
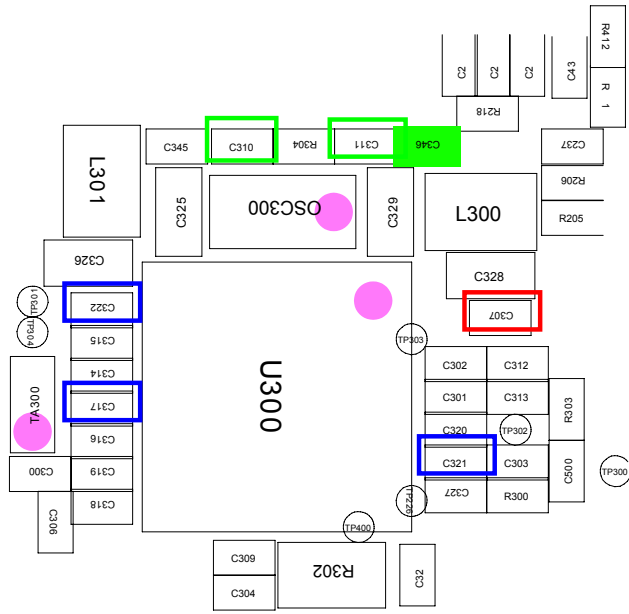
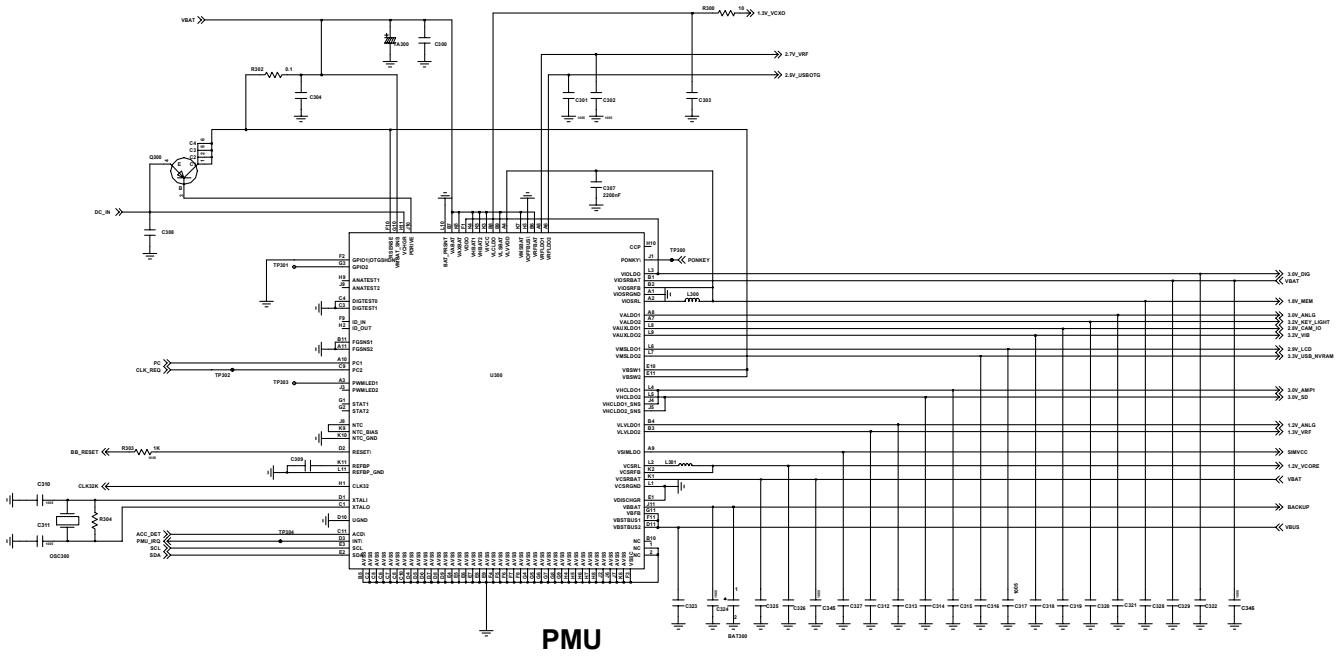


9. Flow Chart of Troubleshooting

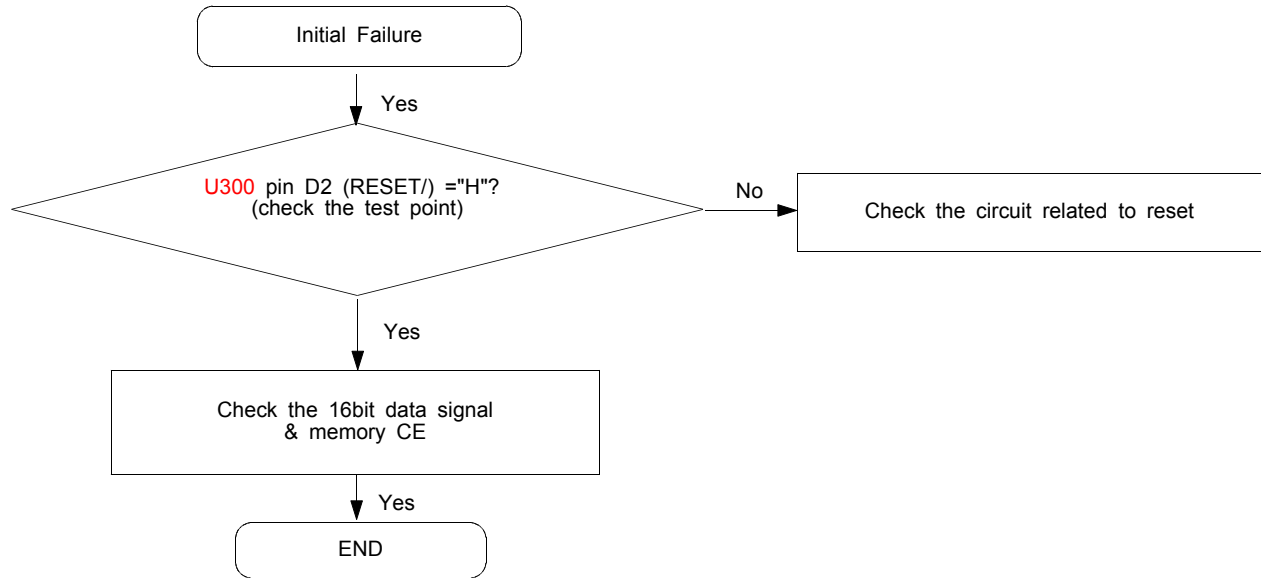
9-1. Power On

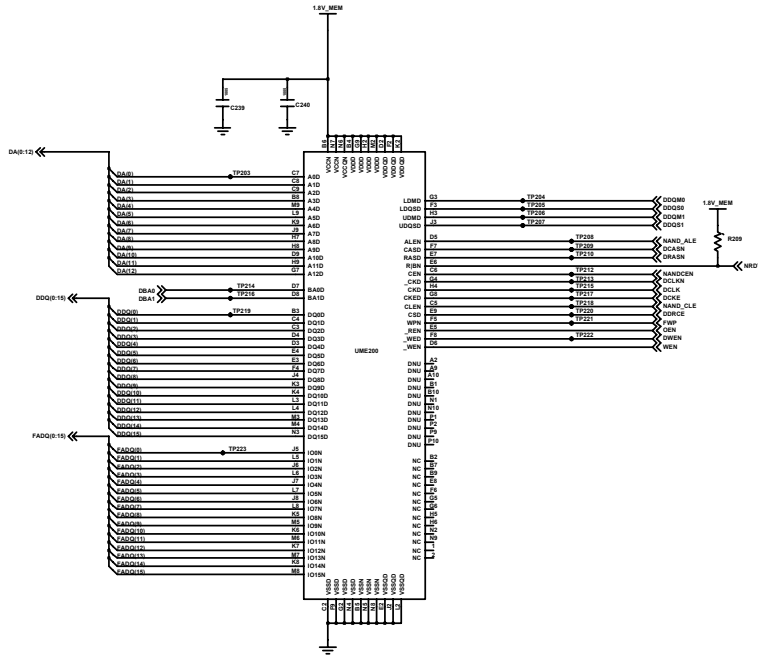


Flow Chart of Troubleshooting

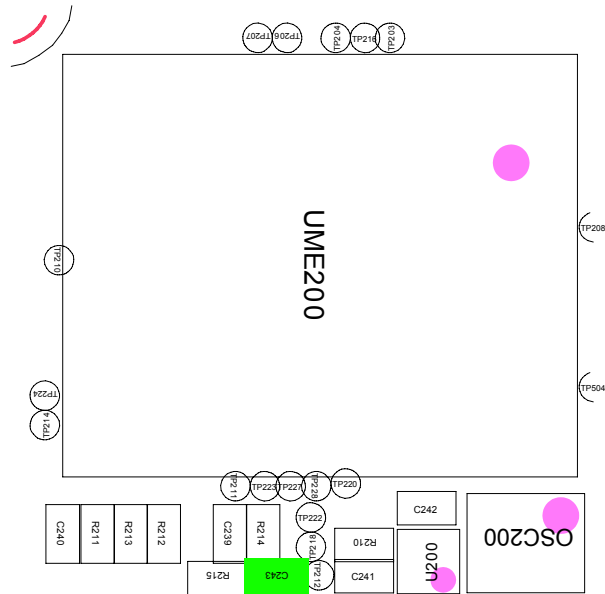


9-2. Initial

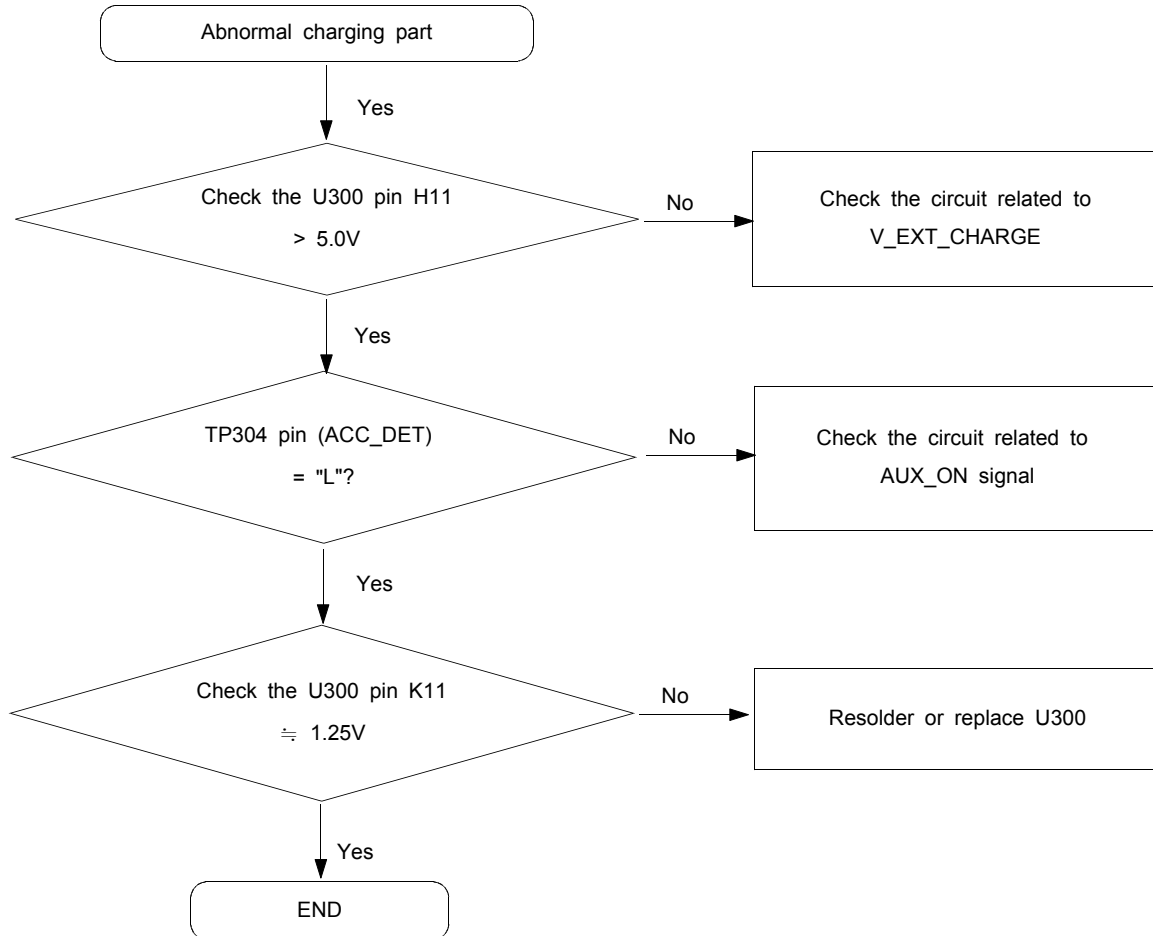




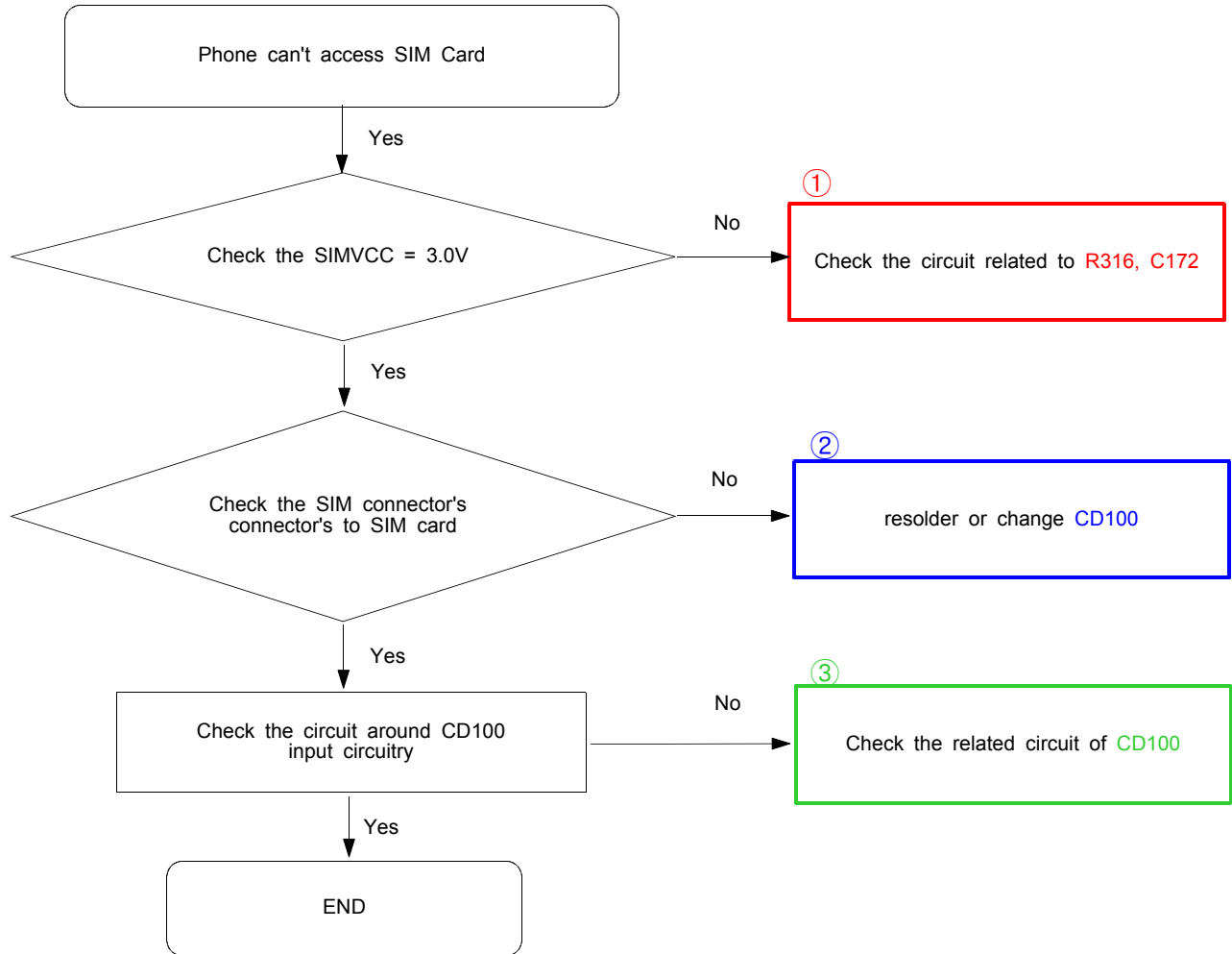
**MEMORY(Large Block NAND)
(1Gb NAND + 512Mb DDRAM)**

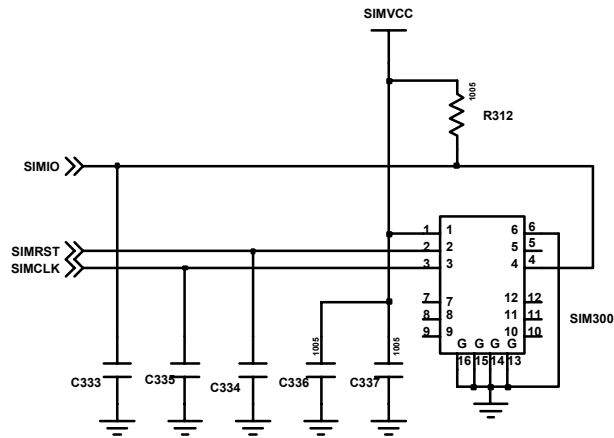


9-3. Charging Part



9-4. Sim Part

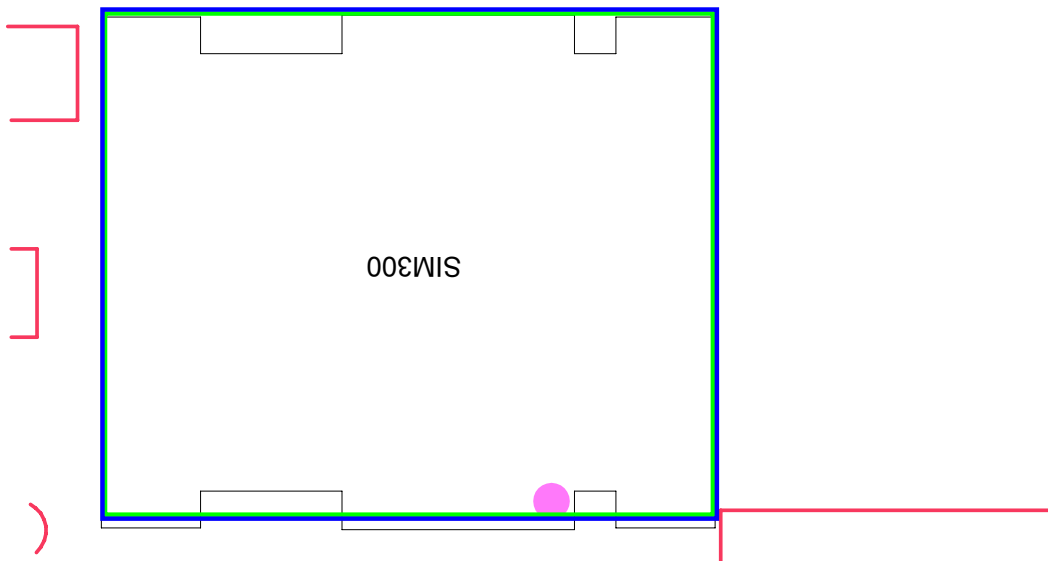




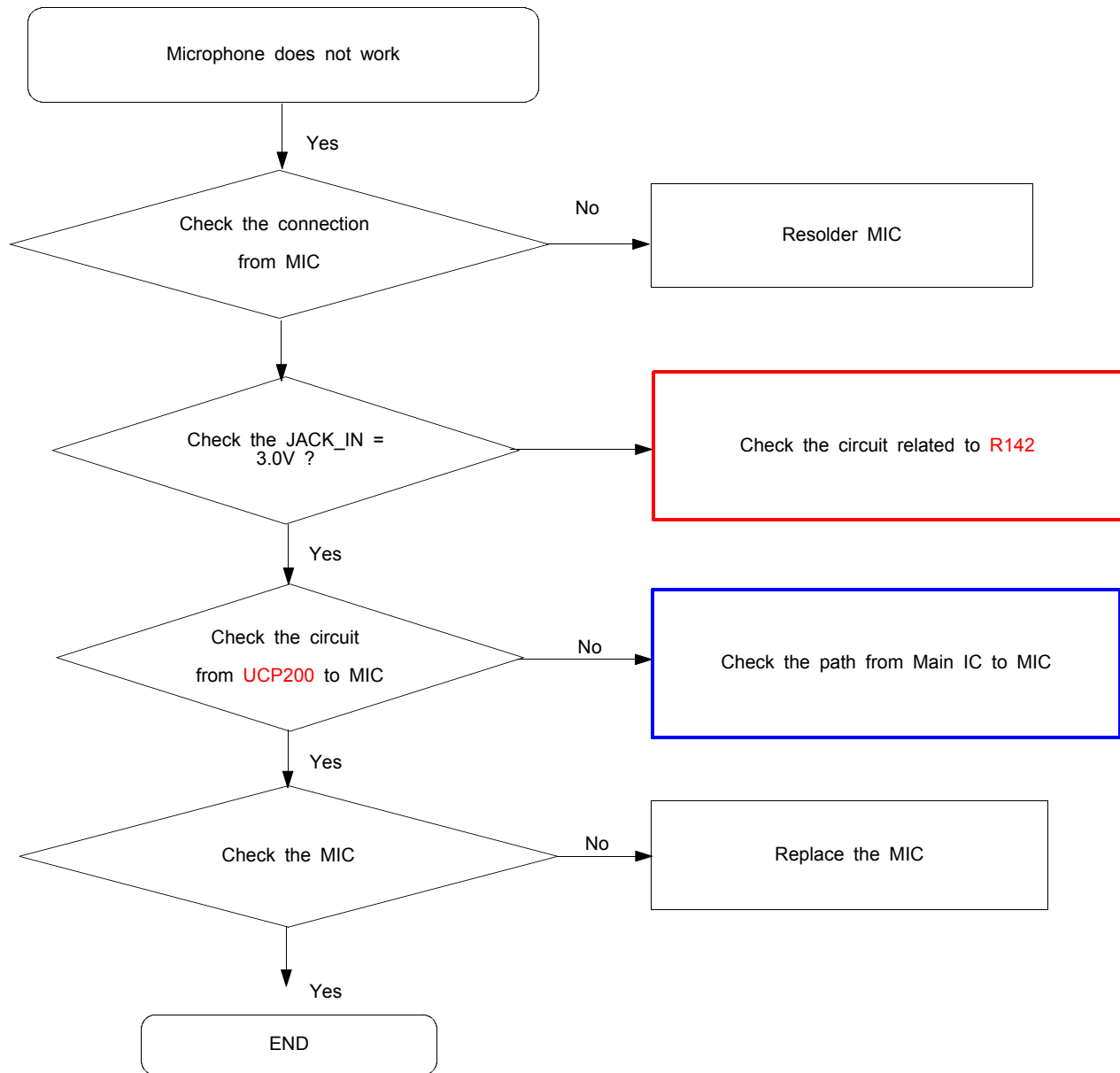
SIM CONNECTOR

C102	C423	00K0Z
------	------	-------

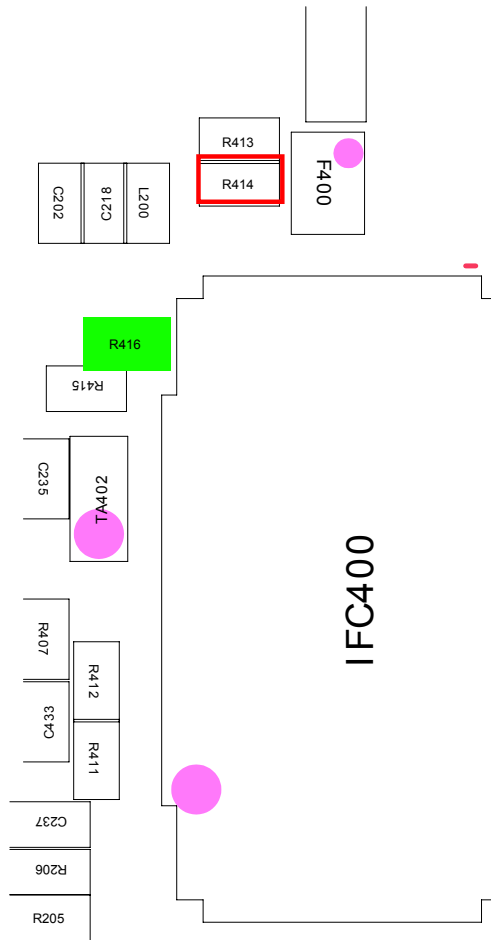
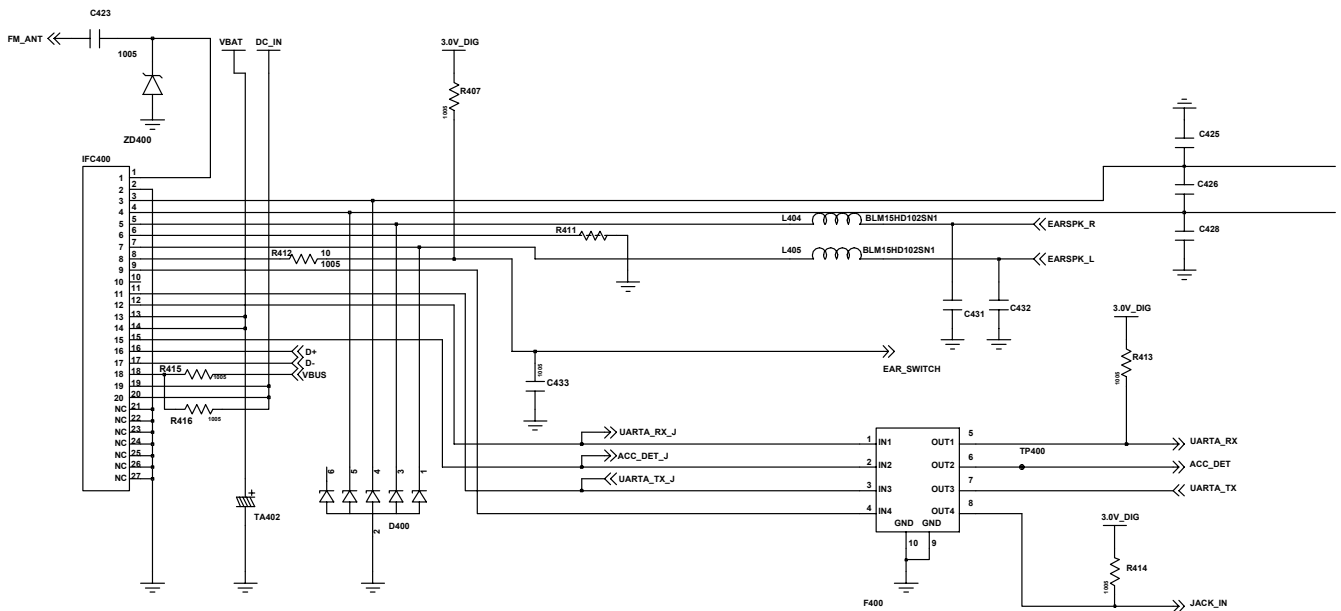
R222	C334	C335	R312	C336
C335				C337



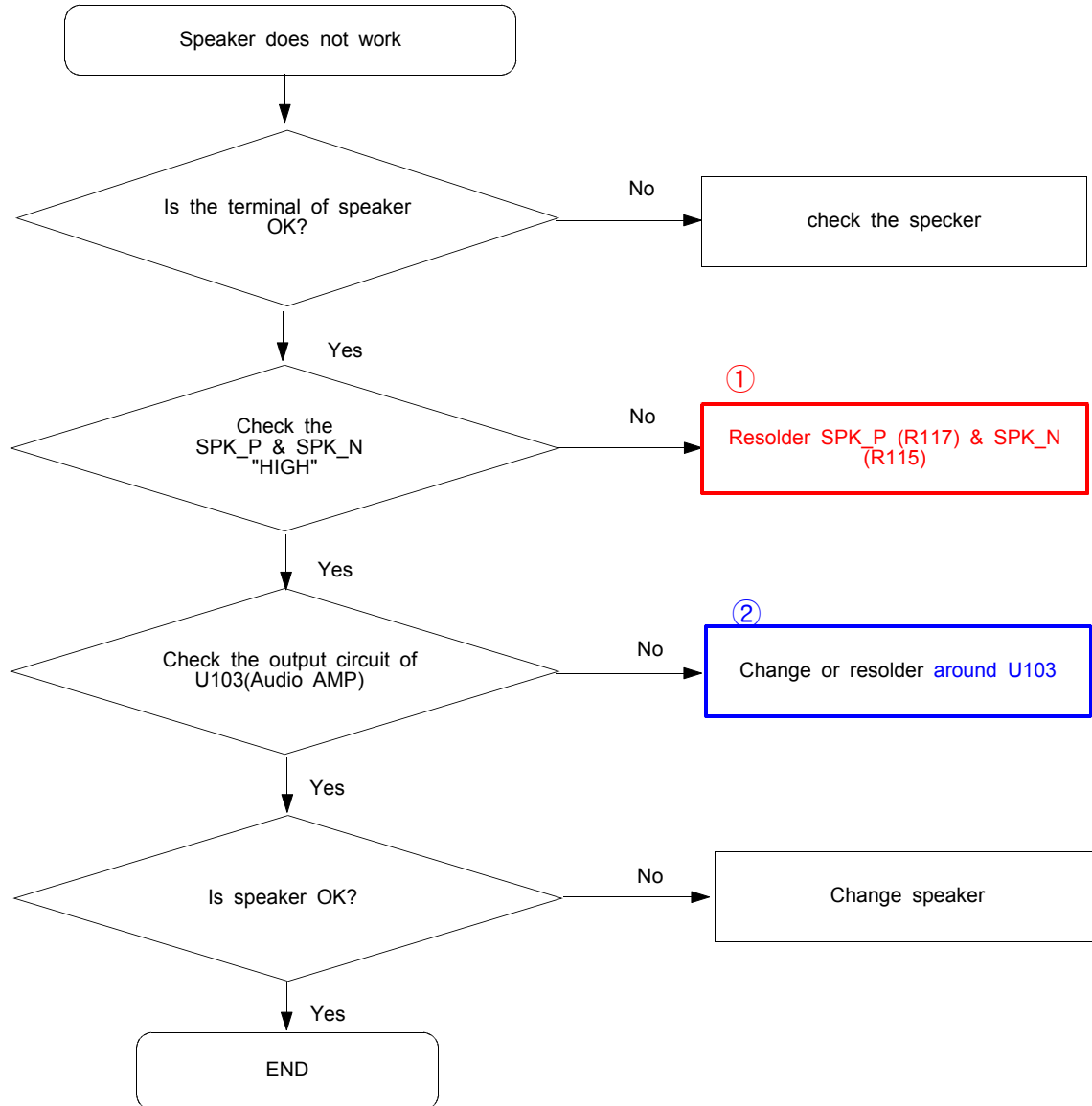
9-5. Microphone Part

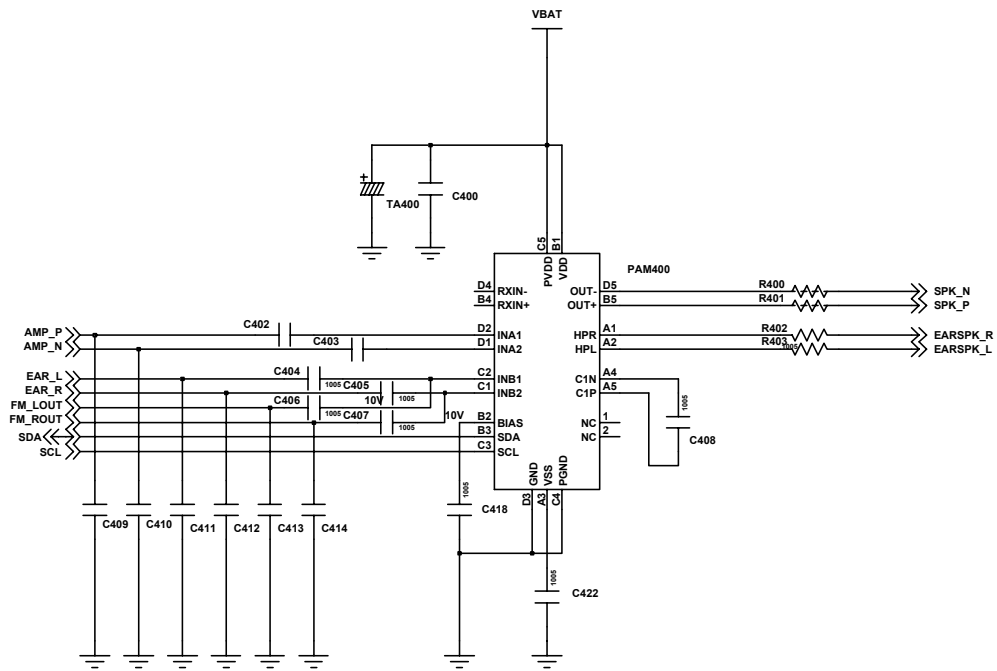


Flow Chart of Troubleshooting

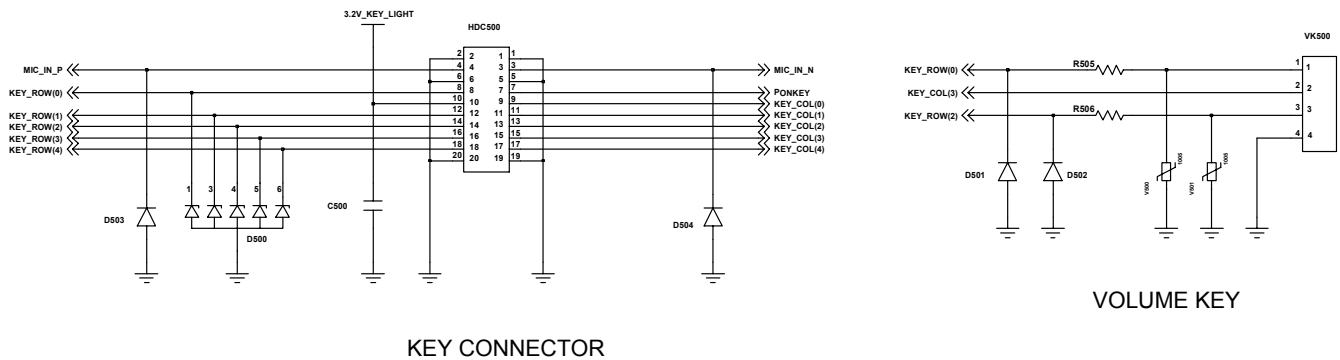
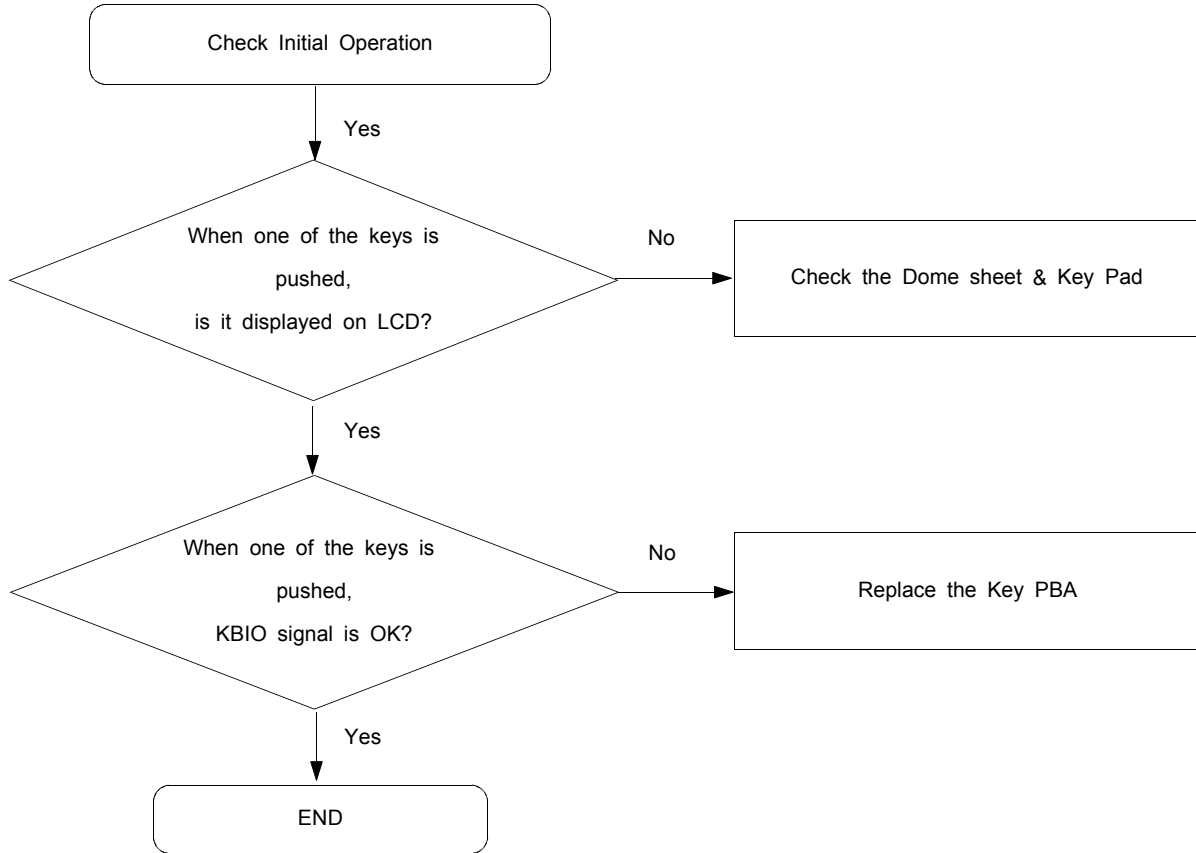


9-6. Speaker Part(Melody)

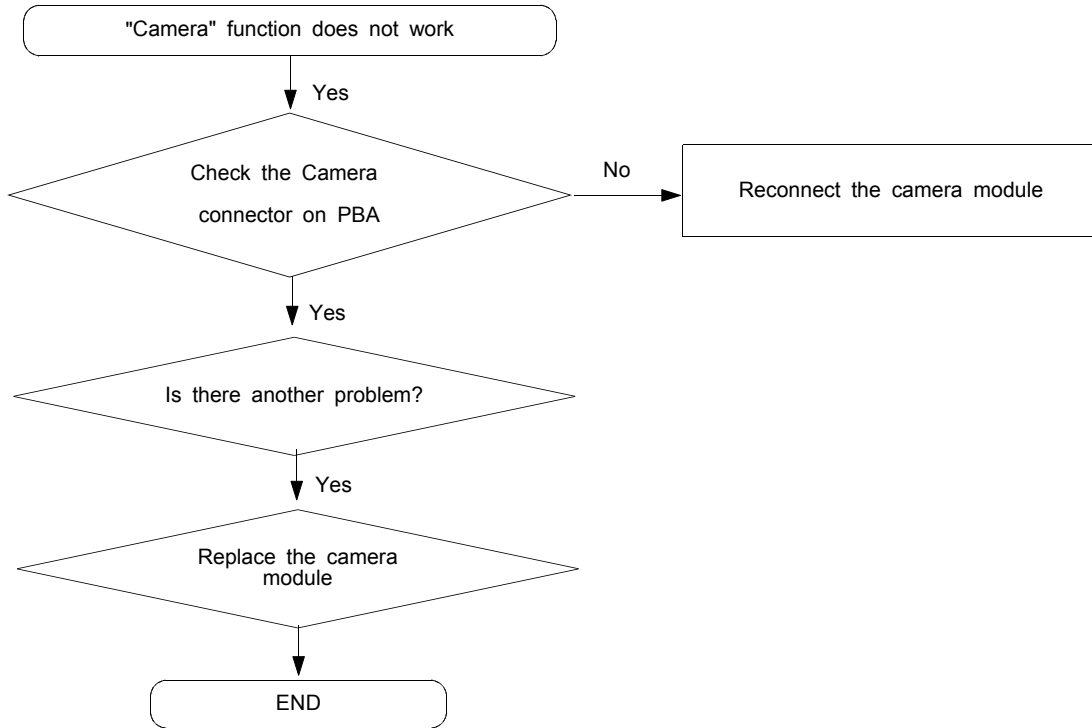




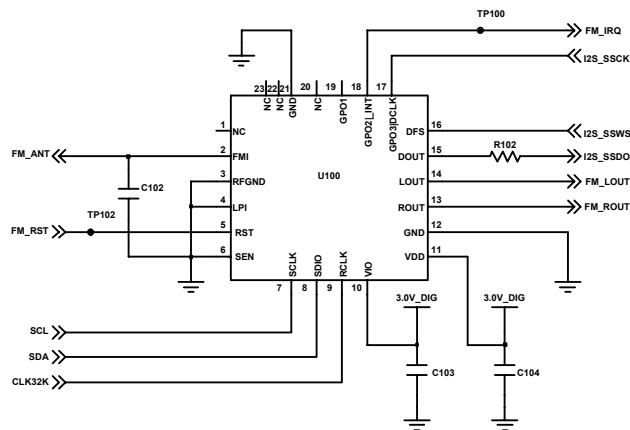
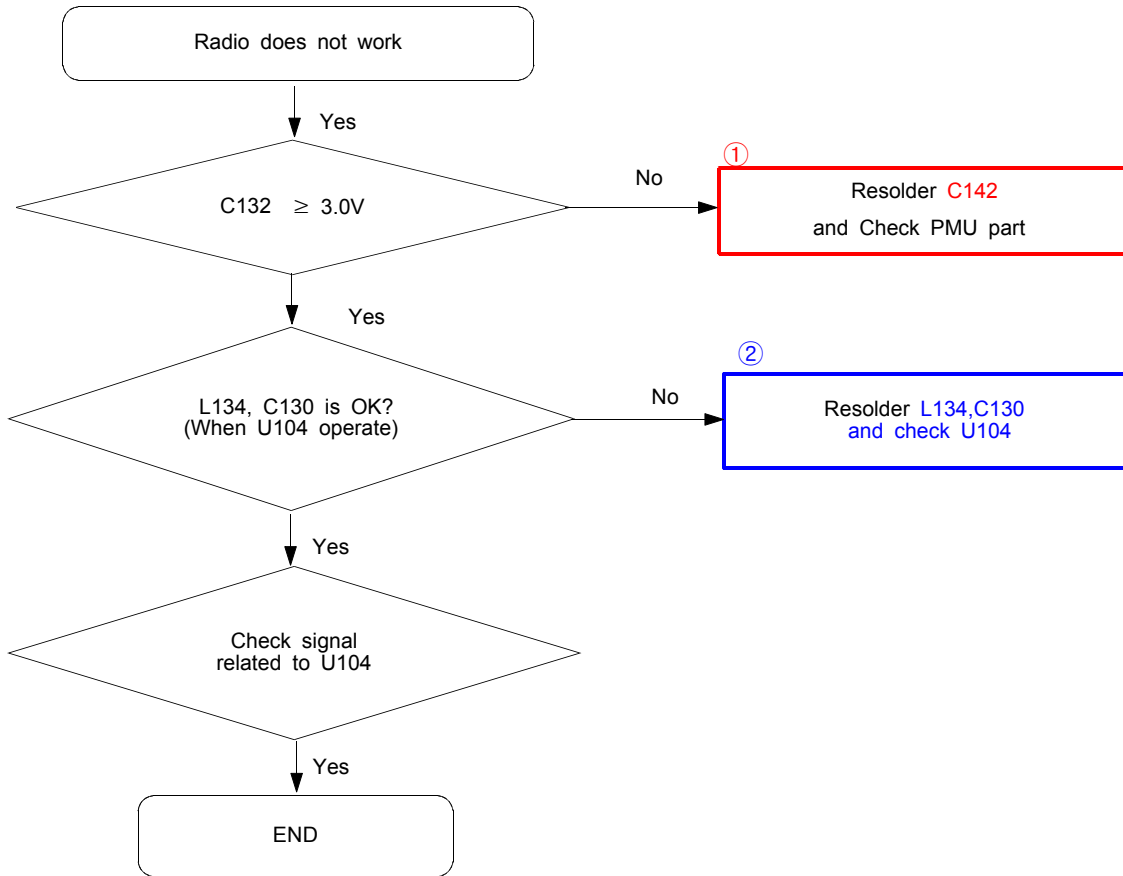
9-7. Key Data Input



9-8. Camera part

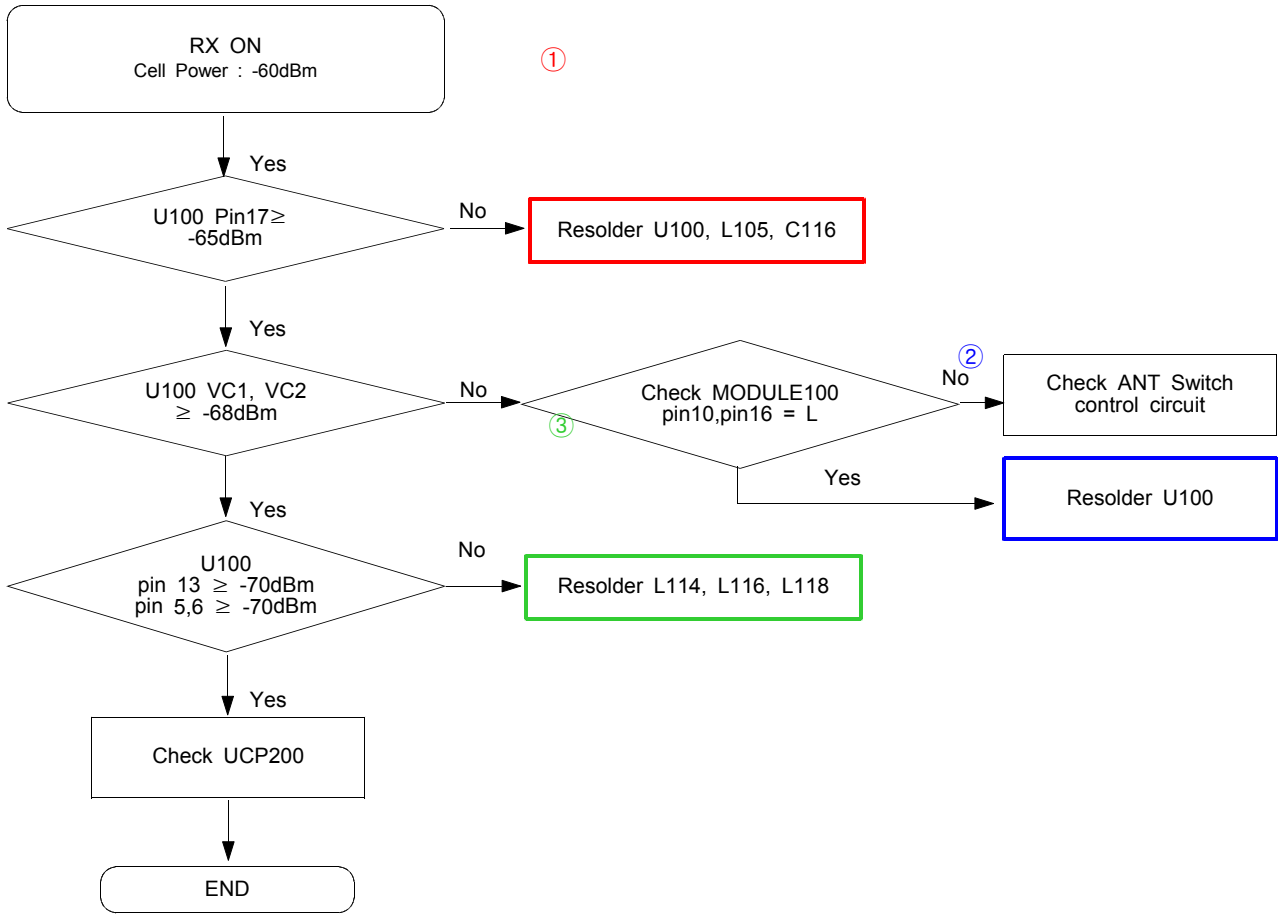


9-9. Radio part

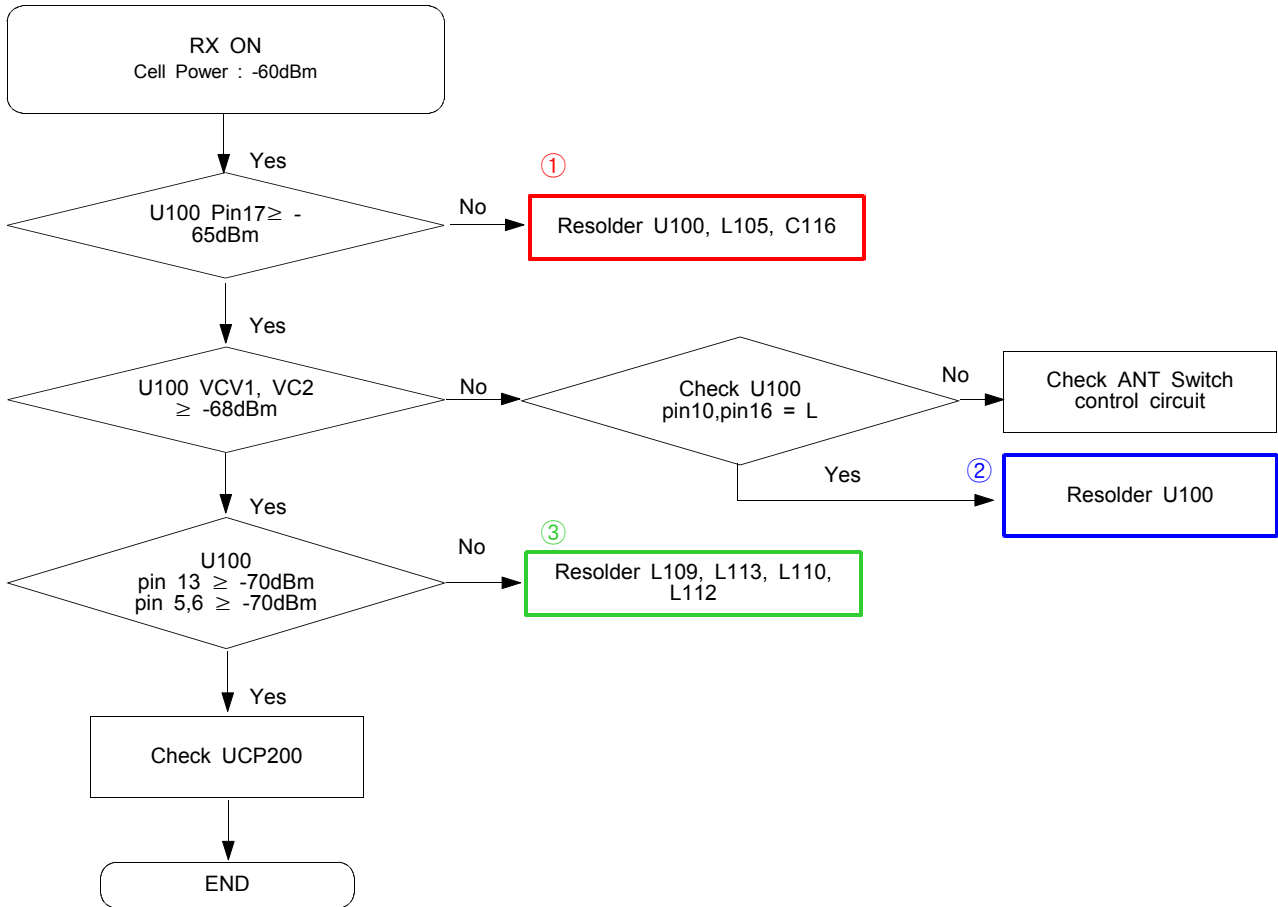


FM RADIO

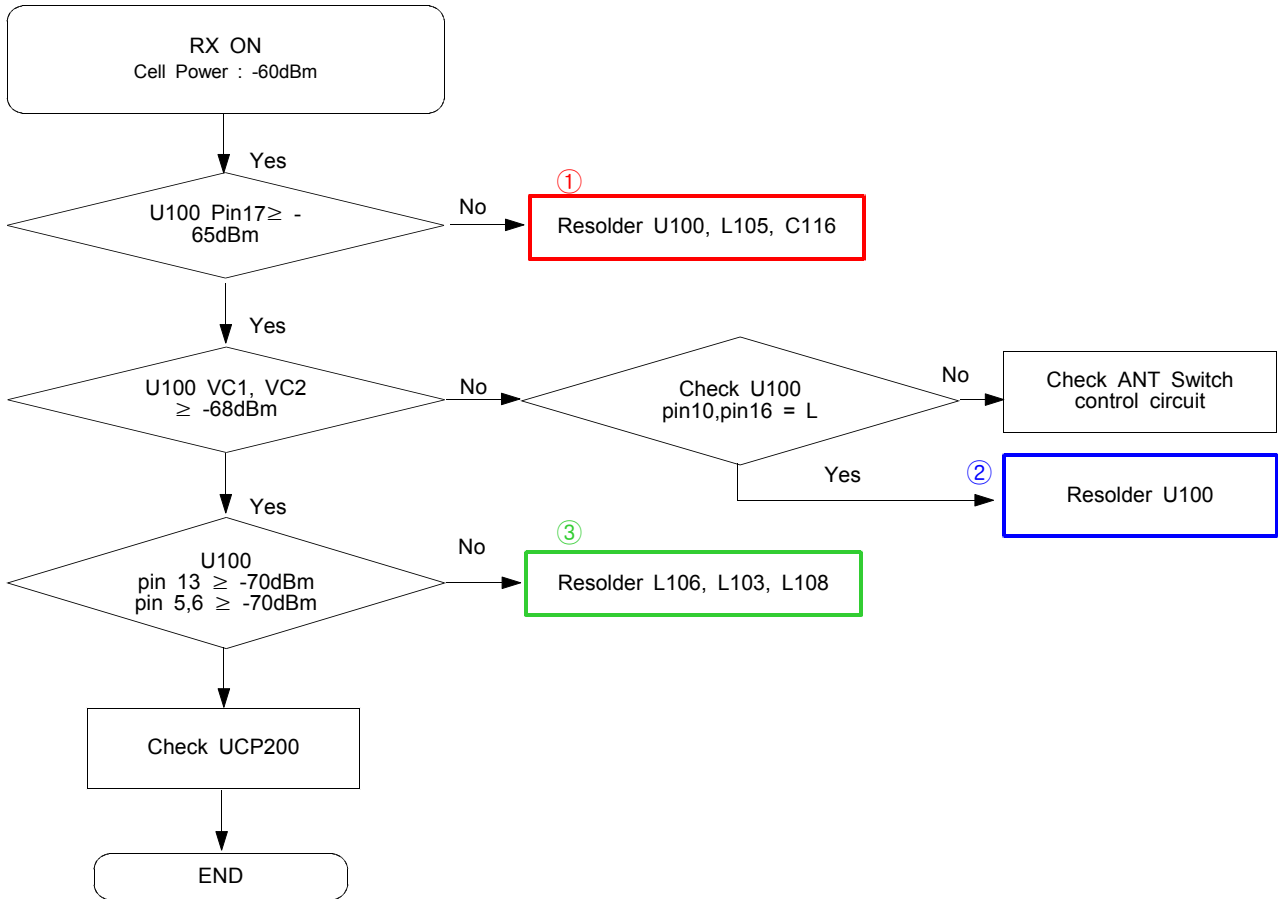
9-10. GSM Receiver



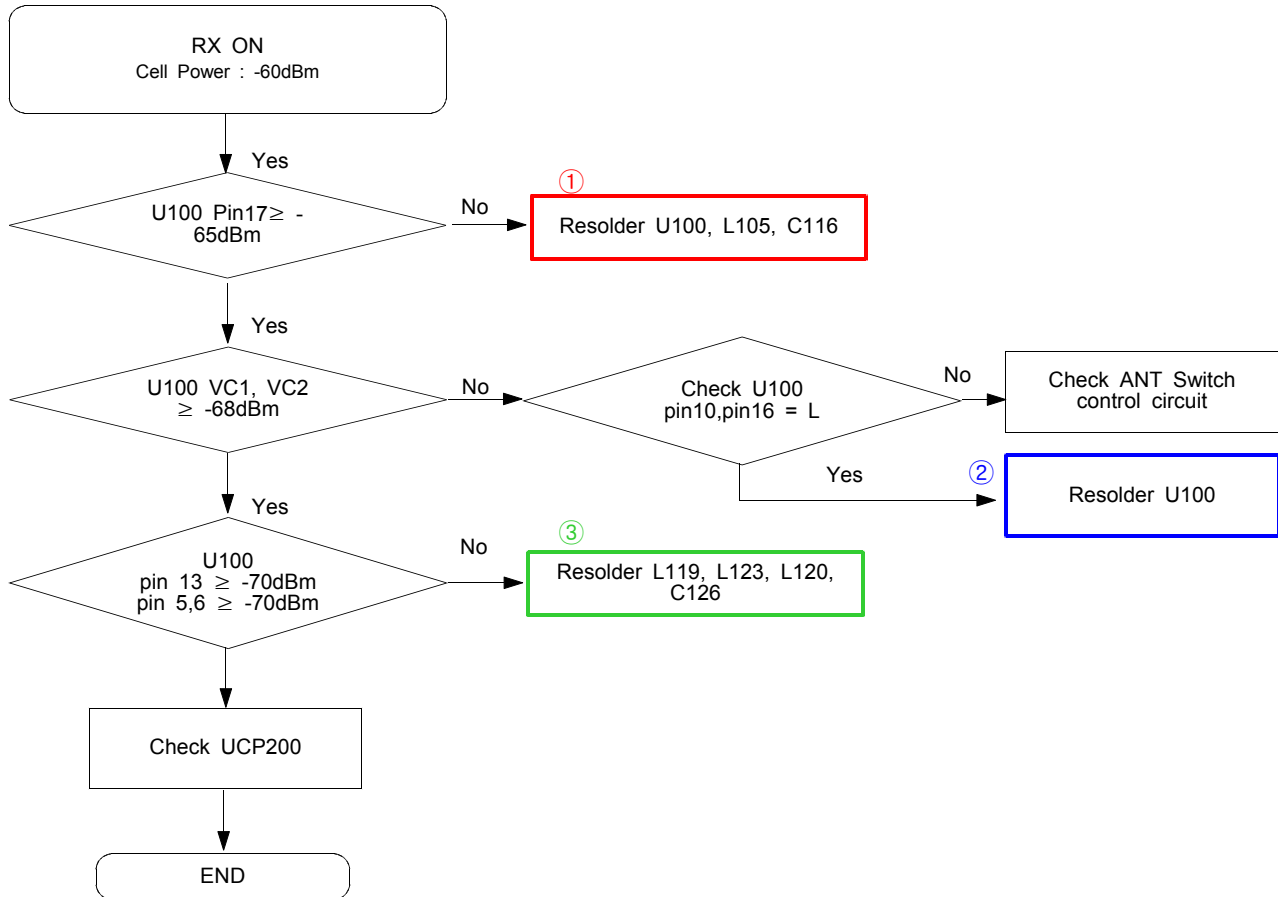
9-11. DCS Receiver

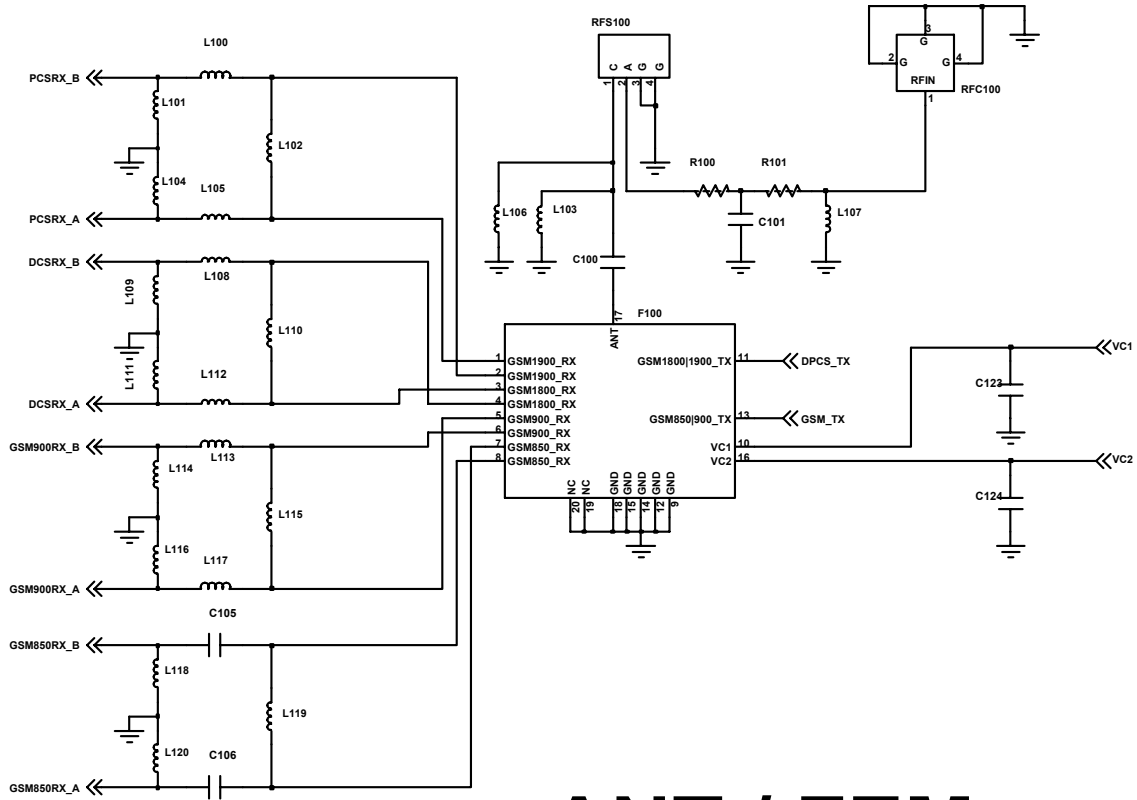


9-12. PCS Receiver

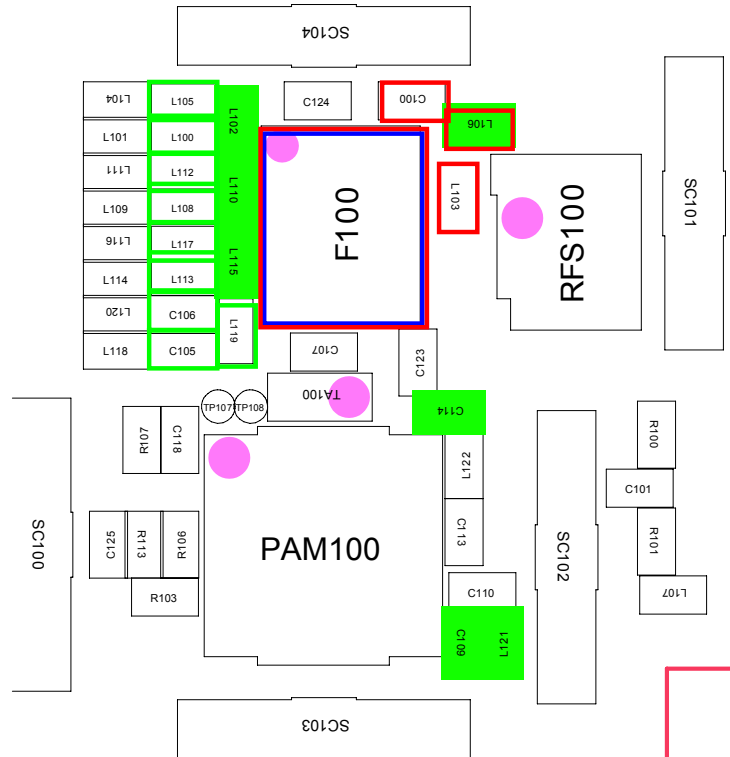


9-13. GSM850 Receiver

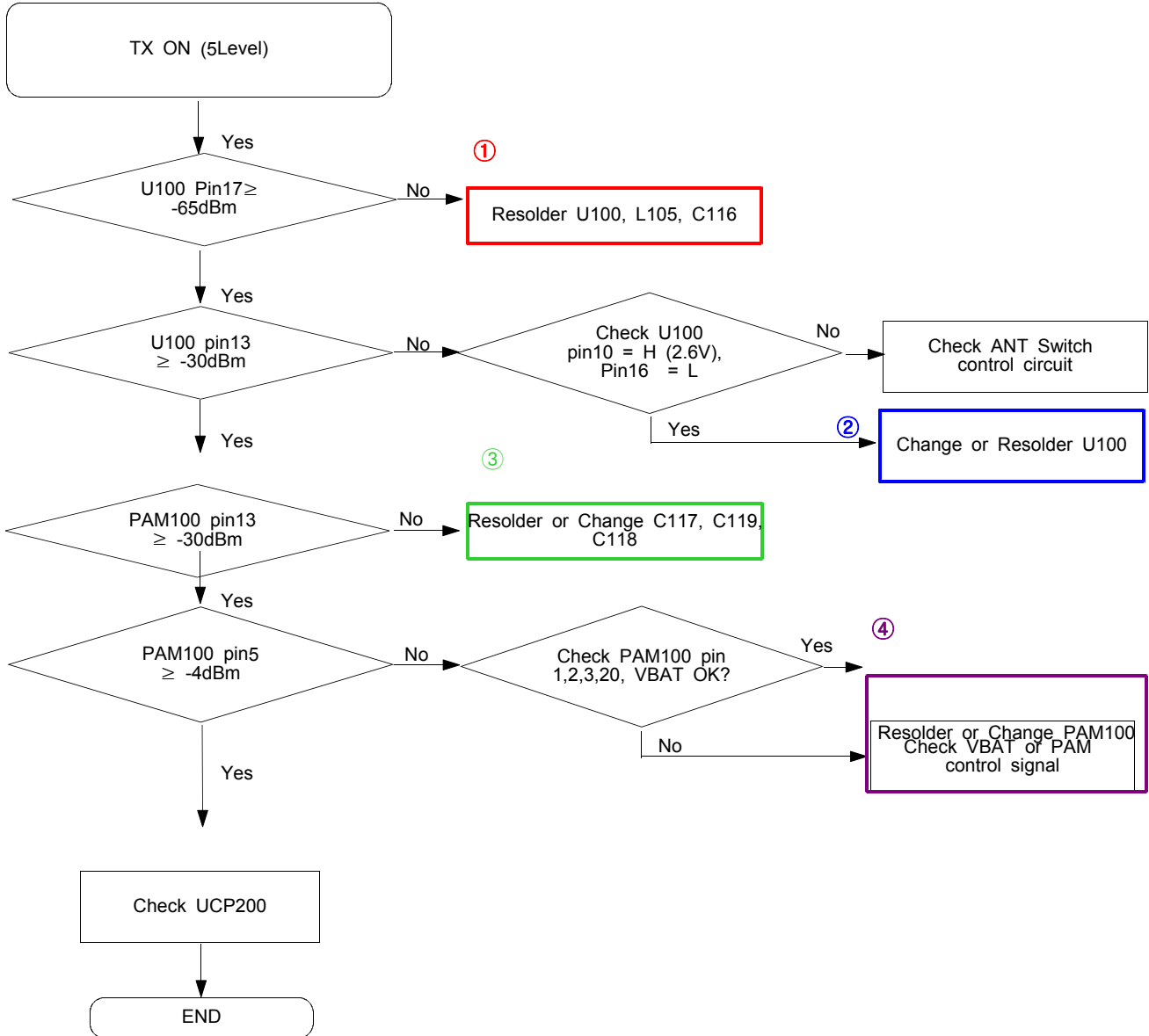




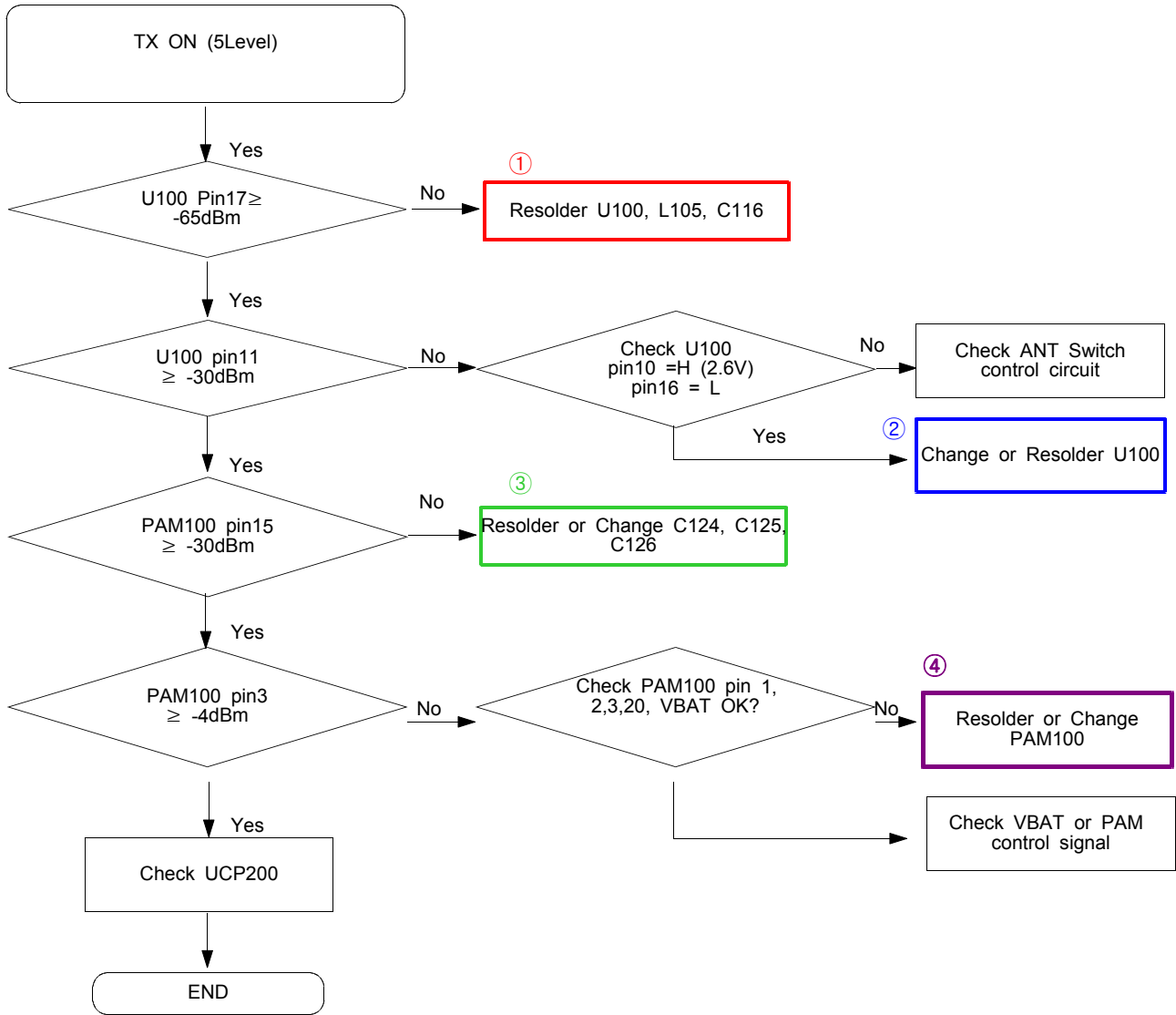
ANT / FEM

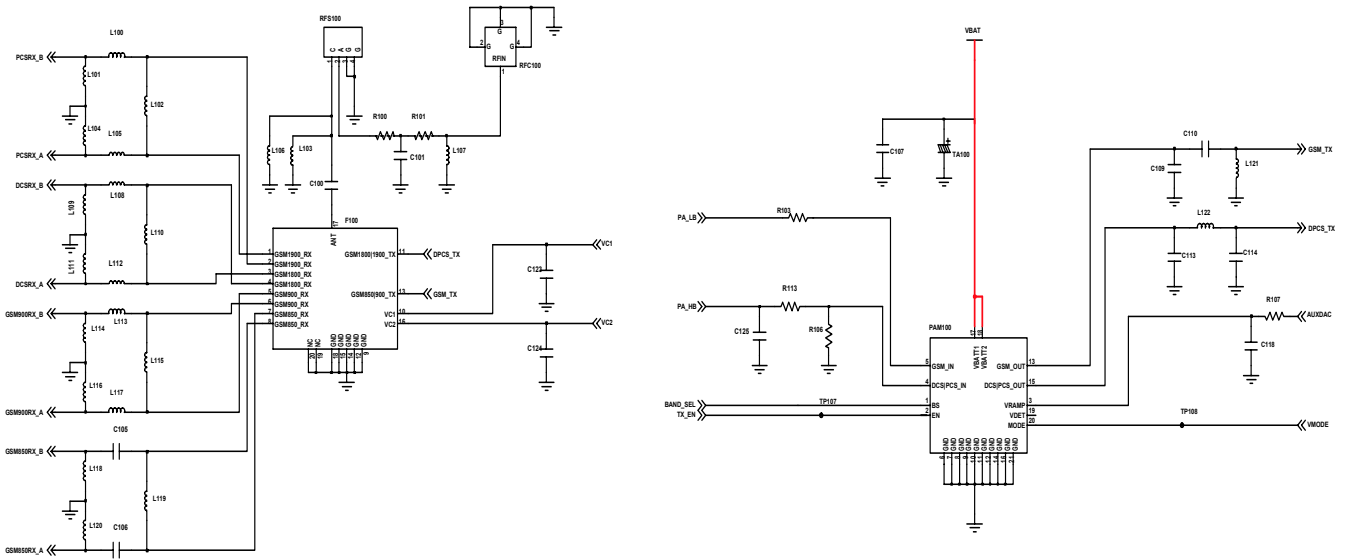


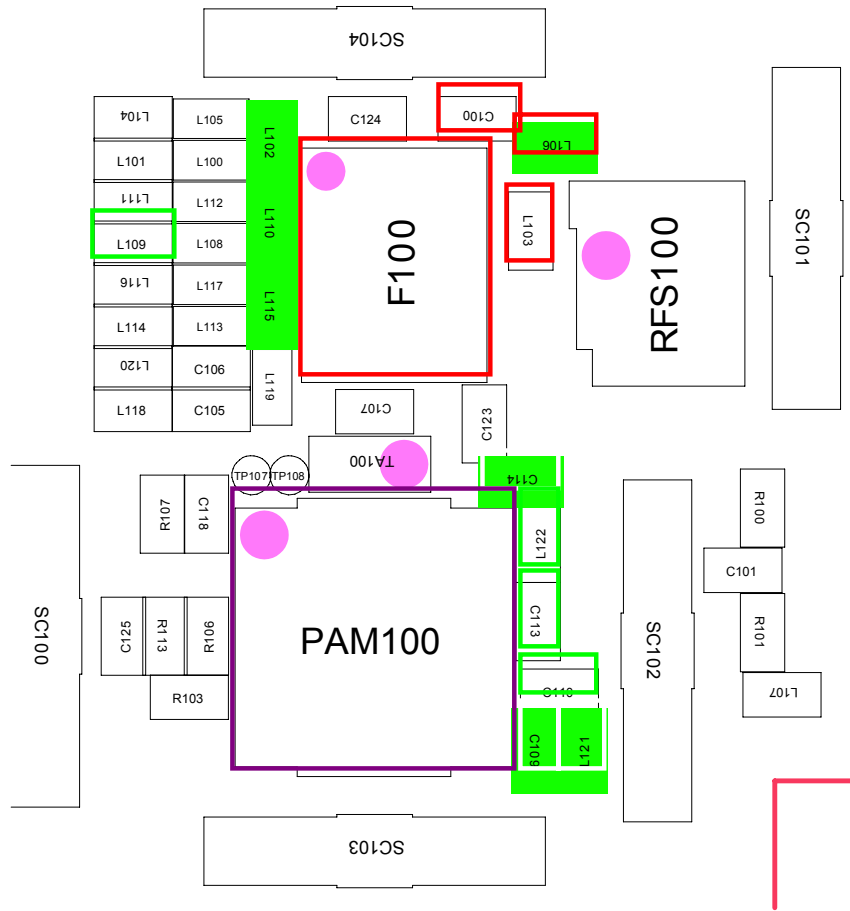
9-14. GSM850/900 Transmitter



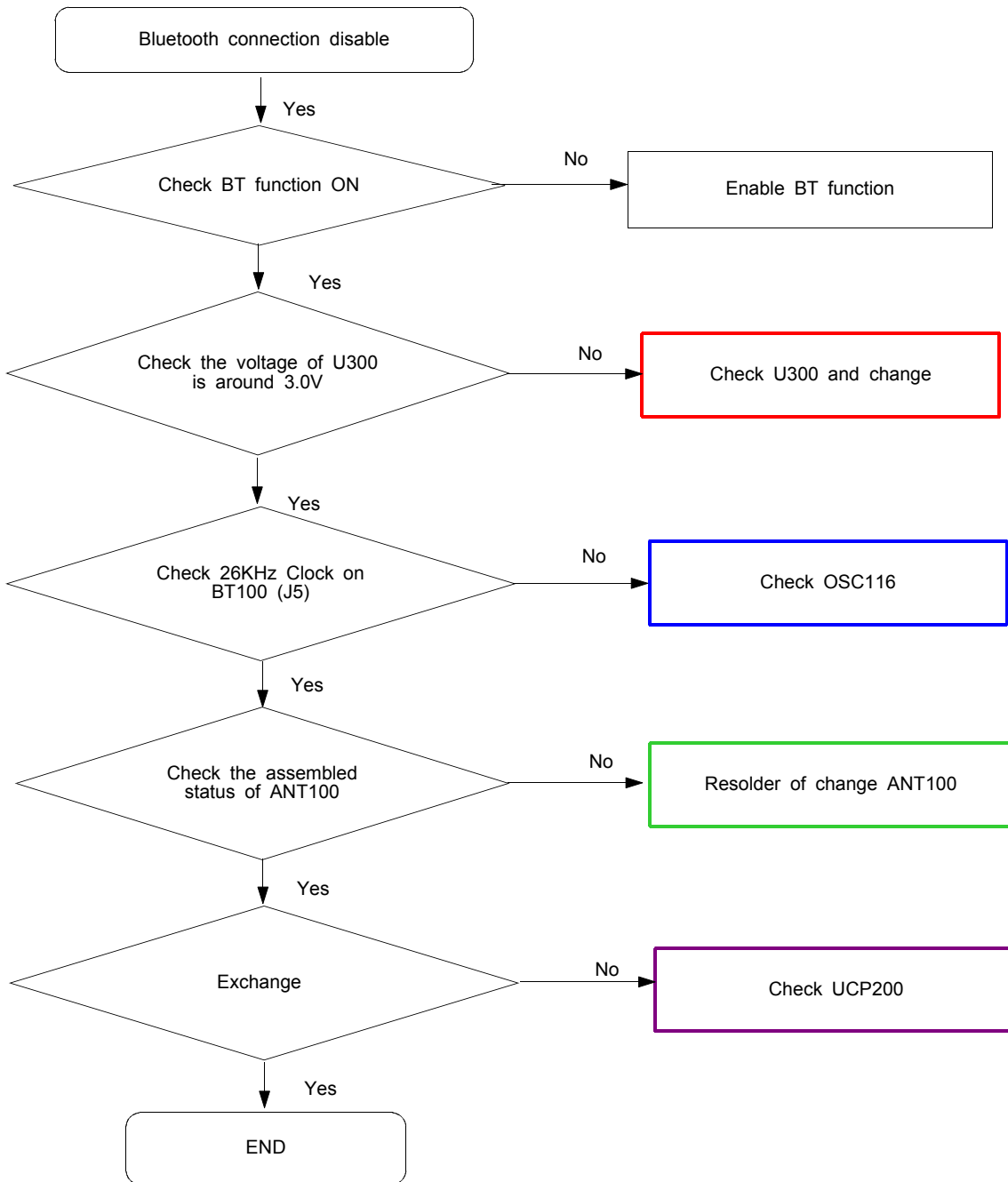
9-15. DCS/PCS Transmitter





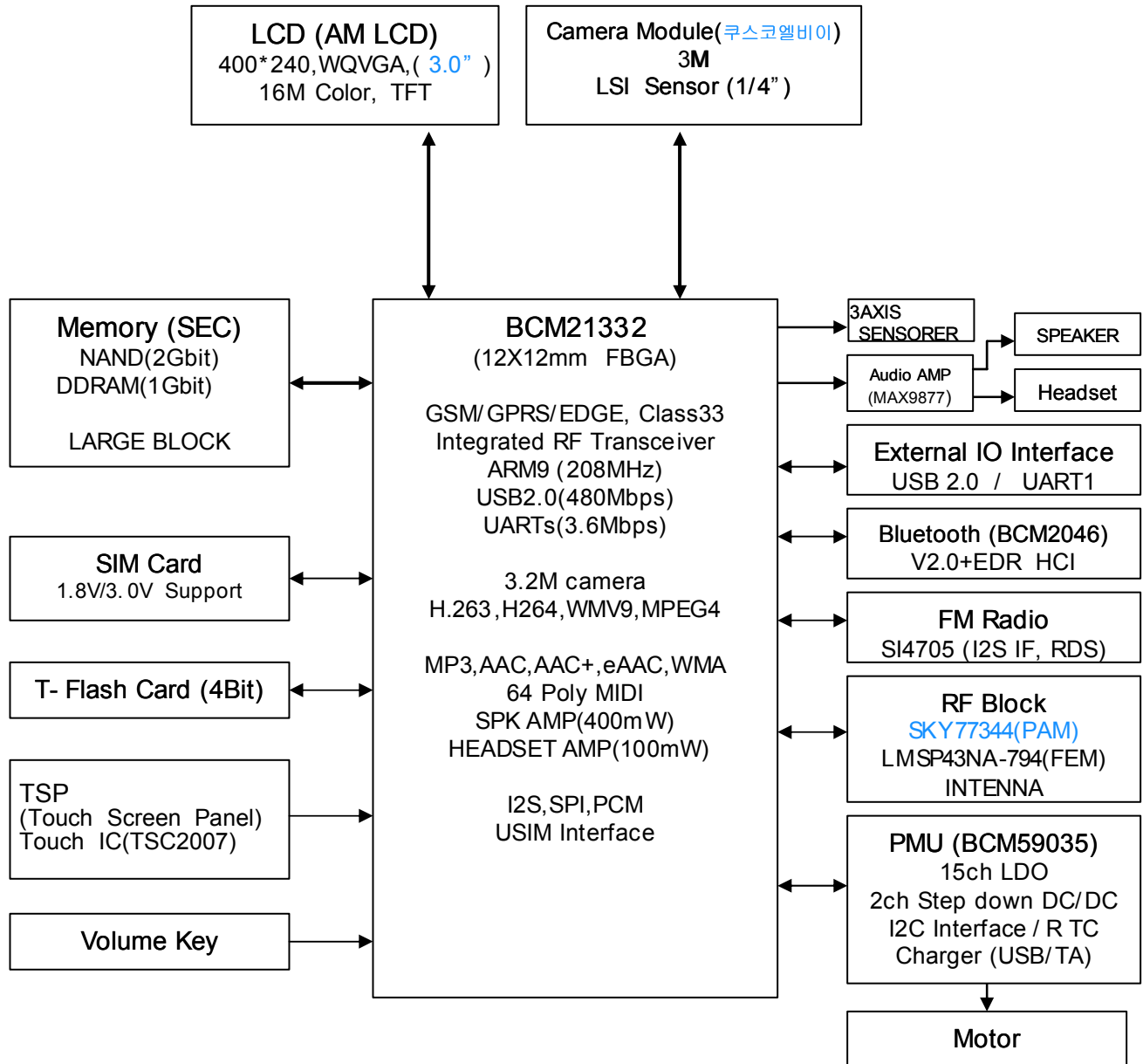


9-18 Bluetooth part



7. Block Diagrams

BB & RF PART (ONE CHIP MODULE)



8. PCB Diagrams

